

MASON JAR TOTE

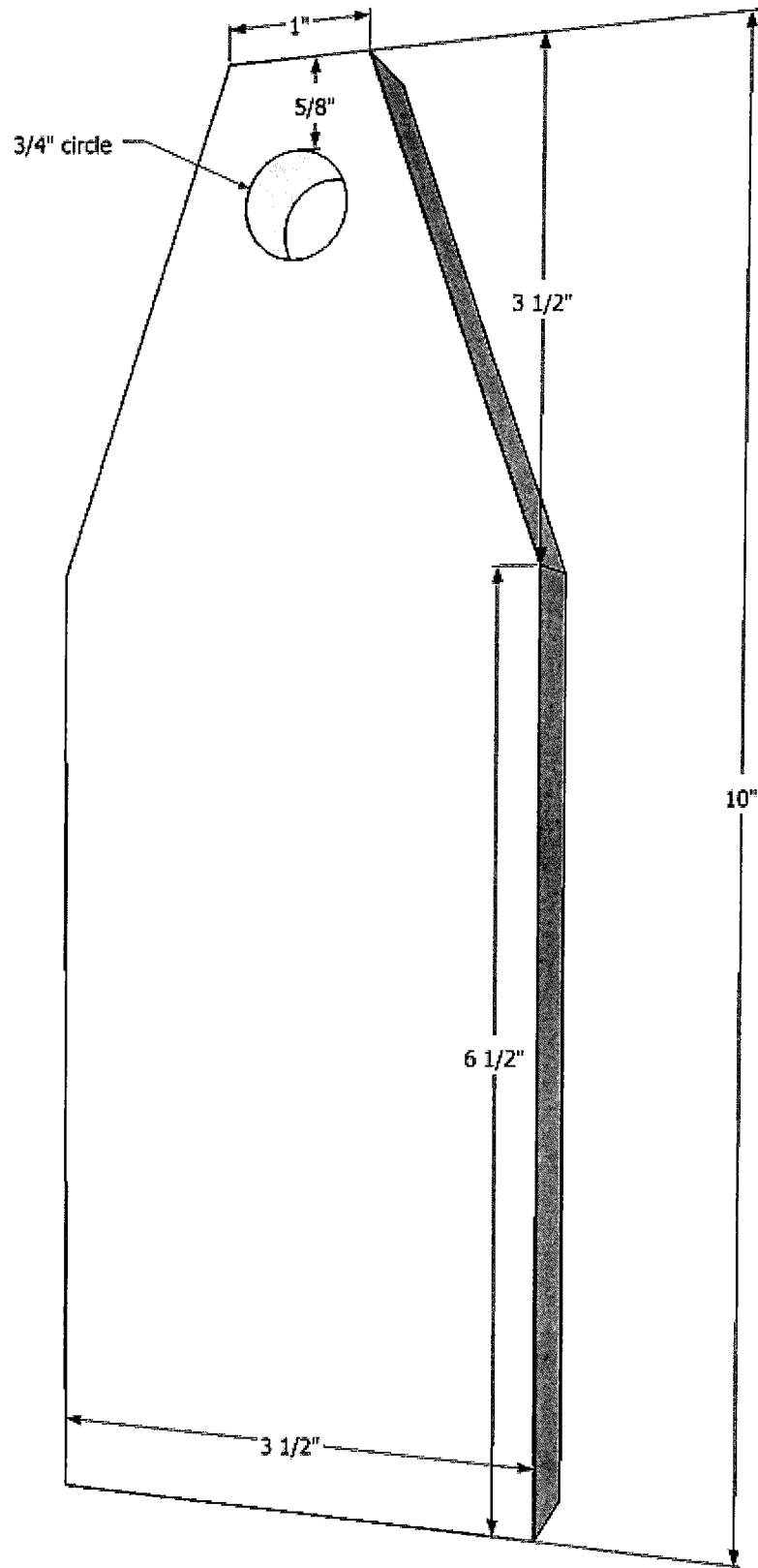
Materials:

- 1 - 1x4x6 pine board
- 4' - 1 1/2" x 1/4" flat moulding
- 1 - 3/4" dowel

- 1 1/4" & 3/4" finish nails
- wood glue
- 3/4" spade bit

Cut List:

- 3 - 1x4 @ 10" (sides & base)
- 4 - 1 1/2" x 1/4" flat moulding @ 11 1/2" (slats)
- 1 - 3/4" dowel @ 12 1/2" (handle)



MASON JAR TOTE

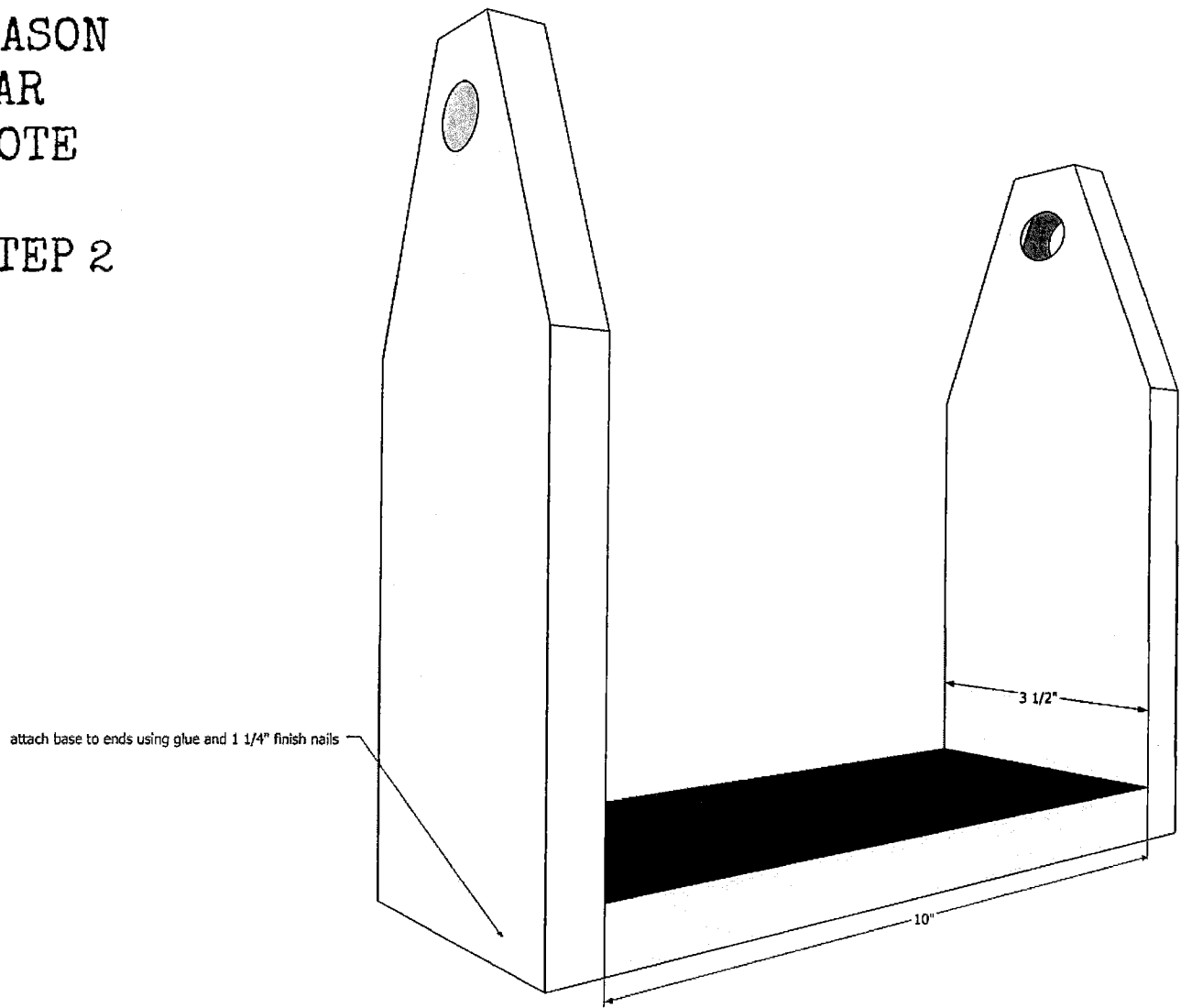
STEP 1

Step 1: Make sides. Cut dog ears off (2) 10" side pieces. I recommend cutting dog ears first and then cut the board at 10" long. Drill one 3/4" hole at center top for handle.

Make 2

MASON
JAR
TOTE

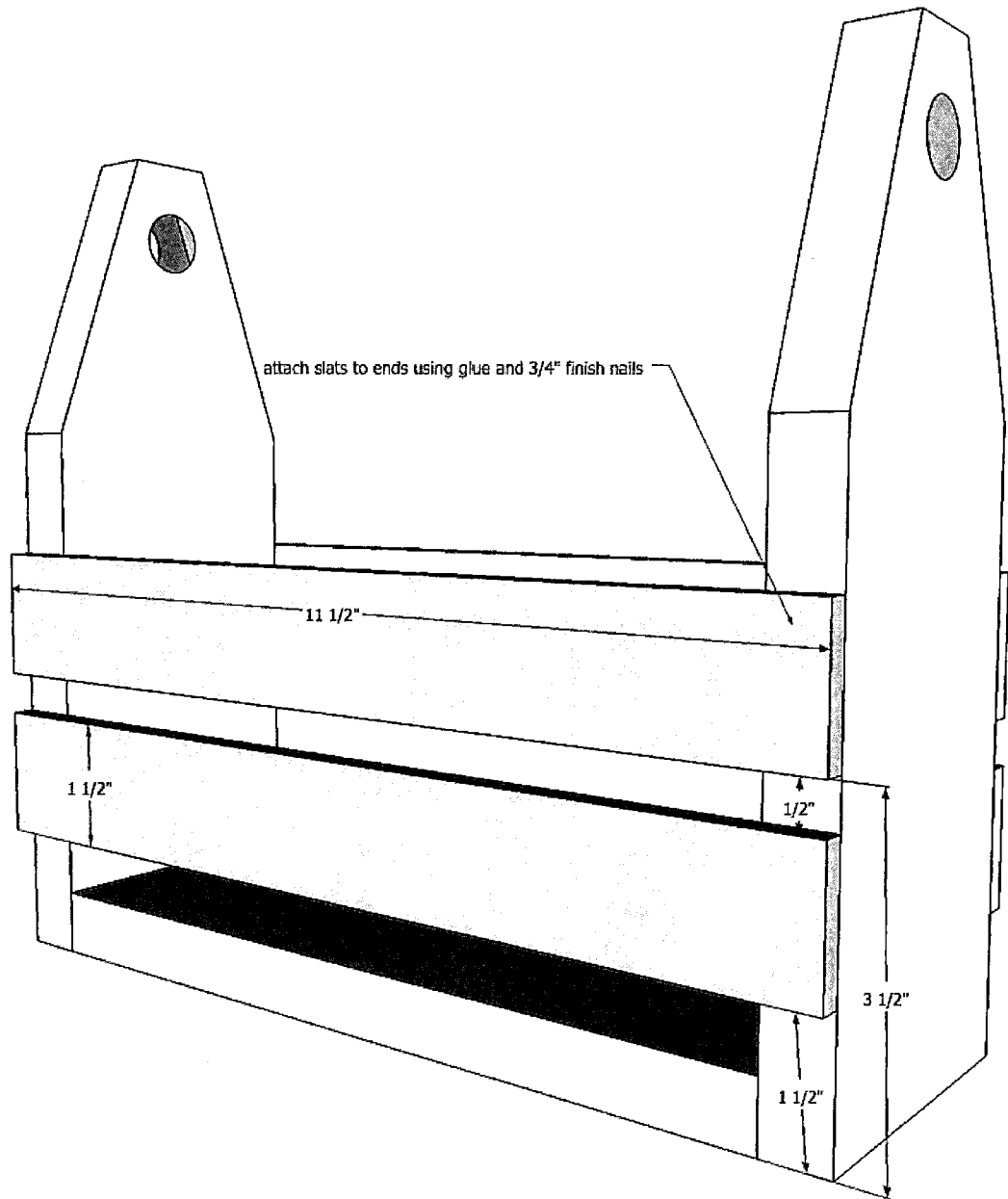
STEP 2



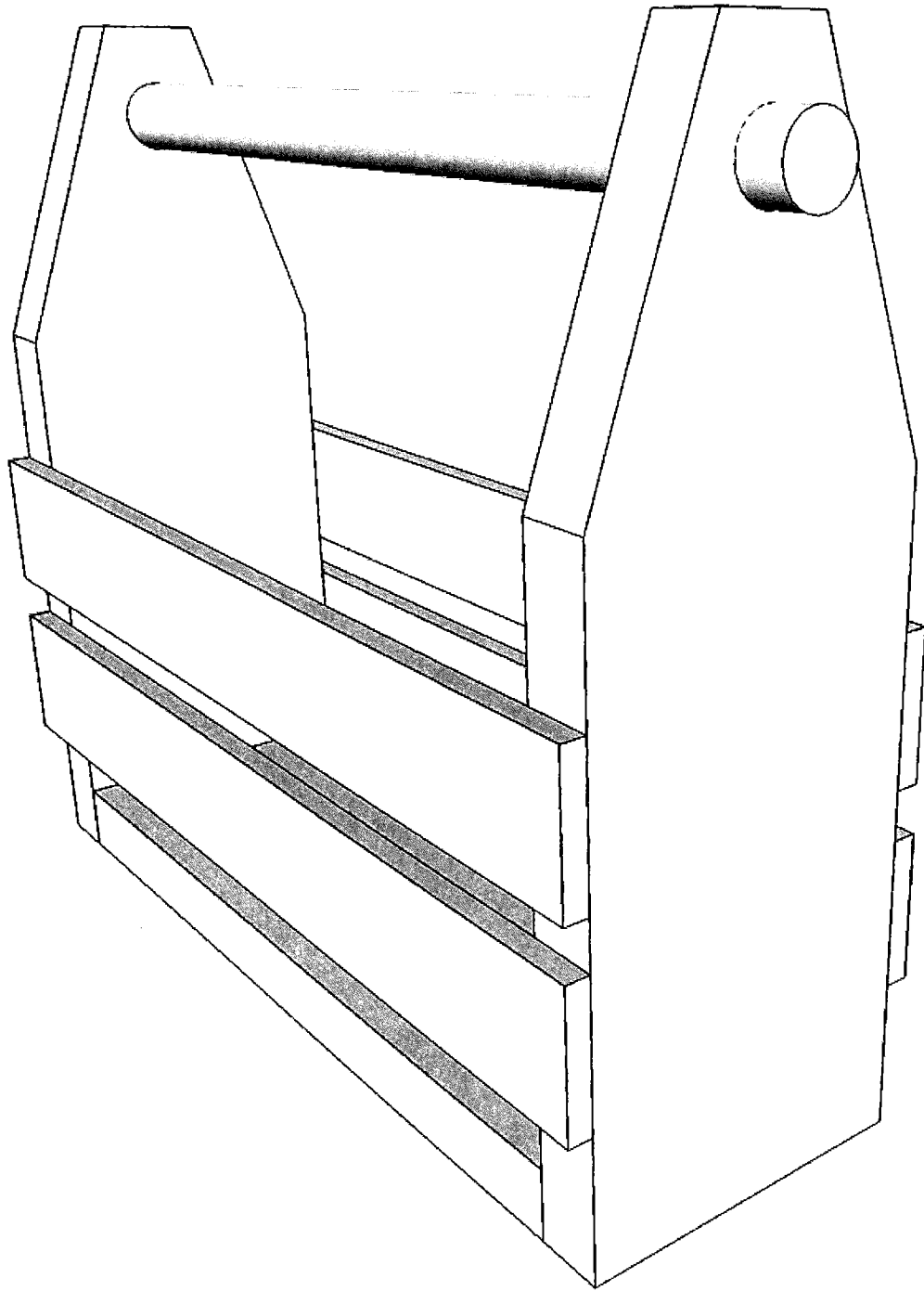
Step 2: Base. Attach sides to base using glue and 1 1/4" finish nails.

MASON
JAR
TOTE

STEP 3



Step 3: Slats. Attach slats to sides using glue and 3/4" finish nails.



Step 4: Slide handle in place. If desired to secure handle use 1 ¼" finish nail at top.